

# Incremental Encoders - Tacho encoders - optotacho encoders

## Mounting accessories



### Brackets

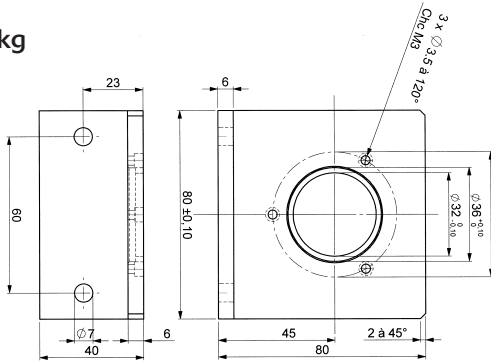
Aluminium mounting brackets

Aluminium spring : adjustable compensating brackets for linear measuring

#### Mounting brackets

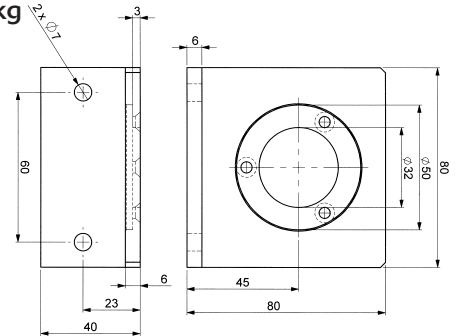
##### ref. 9202

Weight : 0,130 kg



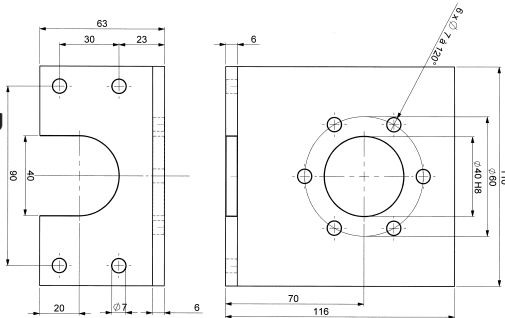
##### ref. 9204

Weight : 0,130 kg



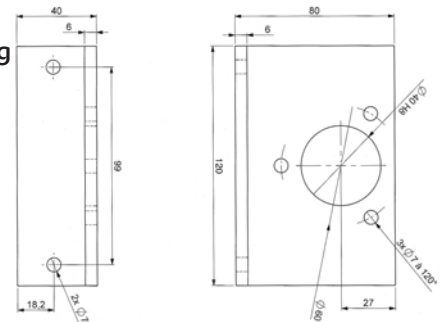
##### ref. 9302

Weight : 0,245 kg



##### ref. 9301

Weight : 0,130 kg



#### Ajustable spring brackets

##### ref. 9212

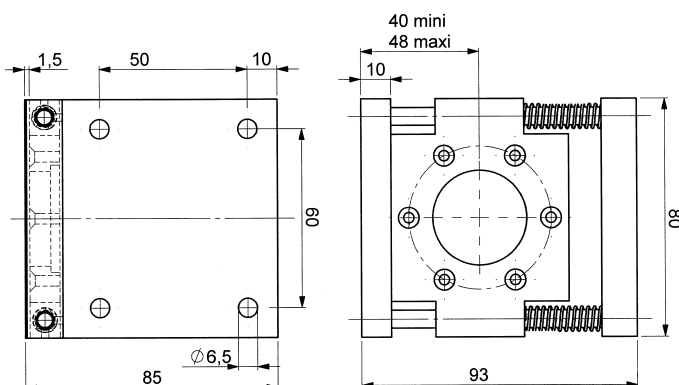
Springs : galvanized steel

Guiding rods : Z40C13 (stainless steel)

Weight : 0,345 kg

6 fixation points  $\varnothing$  3,5 mm

on a  $\varnothing$  48 mm



##### ref. 9213

Springs : galvanized steel

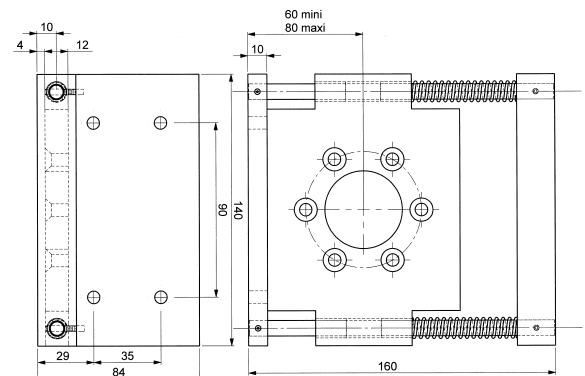
Guiding rods : Z40C13 (stainless steel)

Weight : 0,940 kg

6 fixation points  $\varnothing$  6,5 mm on a  $\varnothing$  60 mm

Available in stainless steel, rf. 9206

Weight : 2,94 kg



# Incremental Encoders

## Mounting accessories

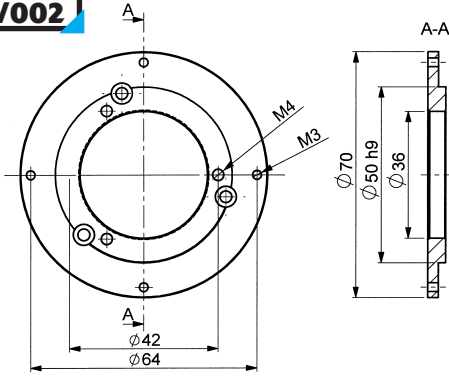


### Flanges

Large choice of built-in and added flanges for all encoder standards.

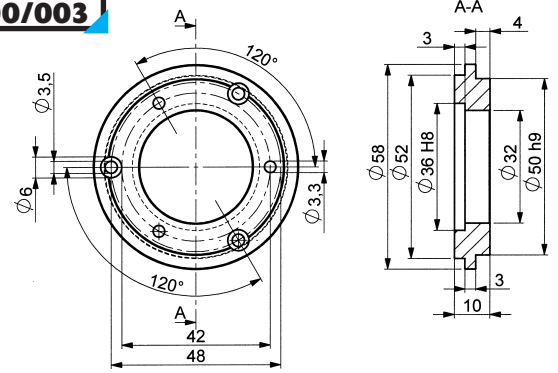
#### Flanges for $\varnothing 58$ mm encoders - Aluminium

ref. 9500/002



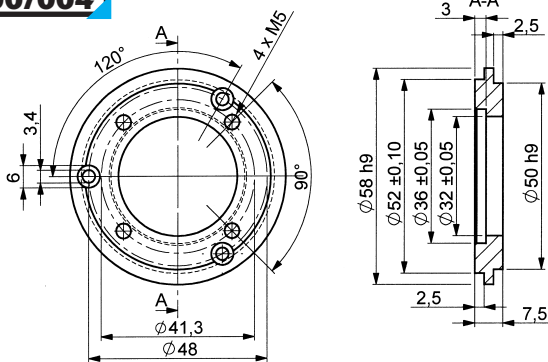
ref. 9500/003

Synchro mounts

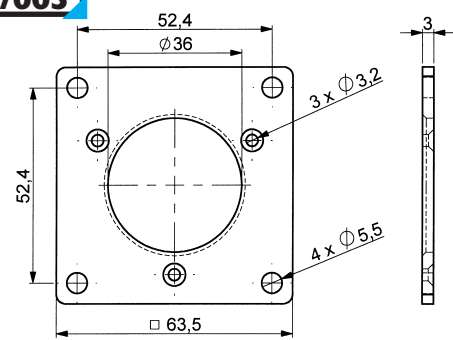


ref. 9500/004

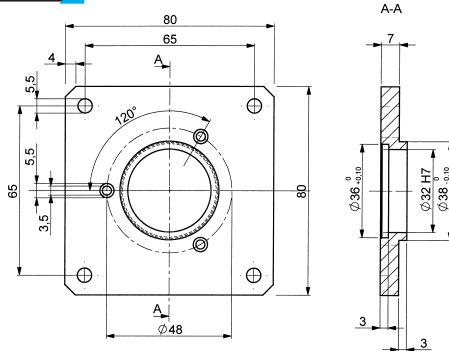
Synchro mounts



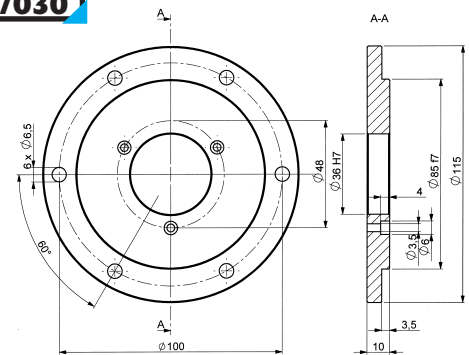
ref. 9500/005



ref. 9500/006

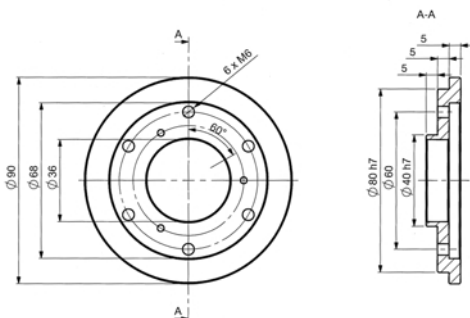


ref. 9500/030



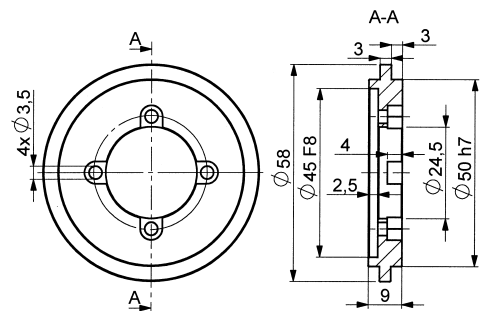
ref. 9500/043

Adapted flanges



ref. 9500/041

Synchro mounts



# Incremental Encoders - Tacho encoders - optotacho encoders

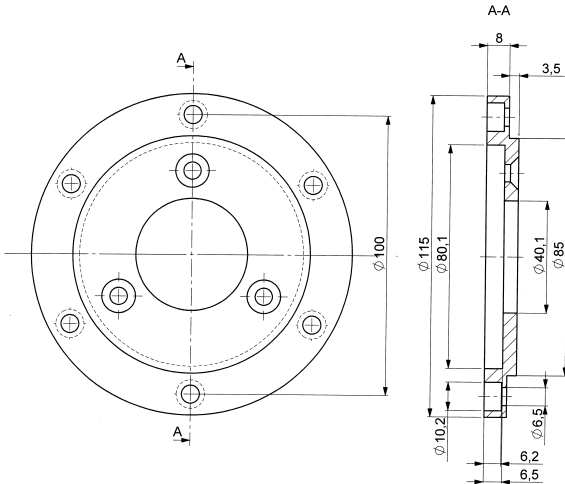
## Mounting accessories



### Flanges for $\varnothing 90$ mm encoders - Aluminium

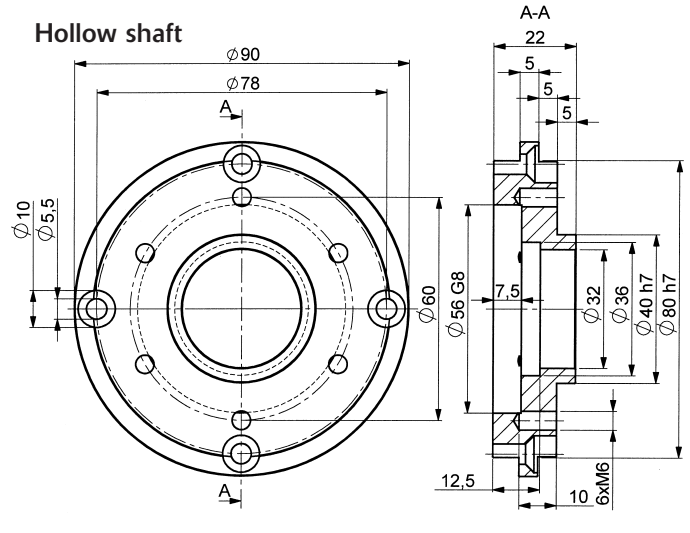
ref. 9500/007

Solid shaft



ref. 9500/028

Hollow shaft

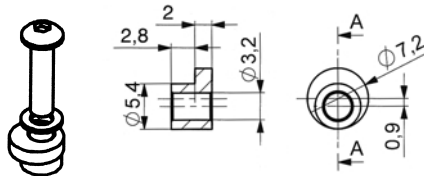


### Fixed eccentric flanges

Kit of 3 eccentric flanges with fixing screws and allen key.

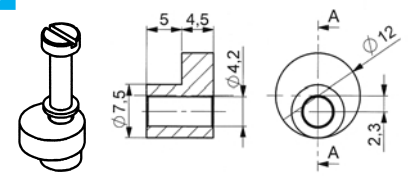
ref. 9500/014

$\varnothing 40$  mm,  $\varnothing 58$  mm,  
Nickel coated brass



ref. 9500/015

$\varnothing 90$  mm, stainless steel



### Assembly kits for encoders with built-in coupling - $\varnothing 58$ mm

ref. MKIT • GHA5

A set of 3 eccentric flanges with fixing screws, allen key, indexing gauges and sealing plug.